



*flawless fusion with infinite possibilities*

**SIFAM**  
F I B R E O P T I C S

## Multimode Power Combiner



SIFAM's TFB series Power Combiners provide an all-fibre high efficiency means of combining light from several multimode sources into one fibre.

Fabricated using SIFAM proprietary controlled fusion process the combiner enables high coupling efficiency over a wide wavelength range.

Available in standard 3x1 and 7x1 configurations, SIFAM power combiners can be fabricated from a range of industry standard multimode fibres allowing ease of splicing to commercially available laser diodes.

Custom fibre and port configurations are available on request.

Please contact the sales team for further information.

### Key Features:

- All fibre construction
- High Coupling Efficiency
- High Power Design
- Custom configurations available

### Applications:

- Cladding pumped fibre lasers
- Medical
- Industrial
- Defence

SIFAM Fibre Optics Ltd  
Broomhill Way, Torquay  
Devon TQ2 7QL  
England



Certificate No. 0962231

Tel: +44(0) 1803 407784  
Fax: +44(0) 1803 407786  
sales@sifamfo.com  
www.sifamfo.com

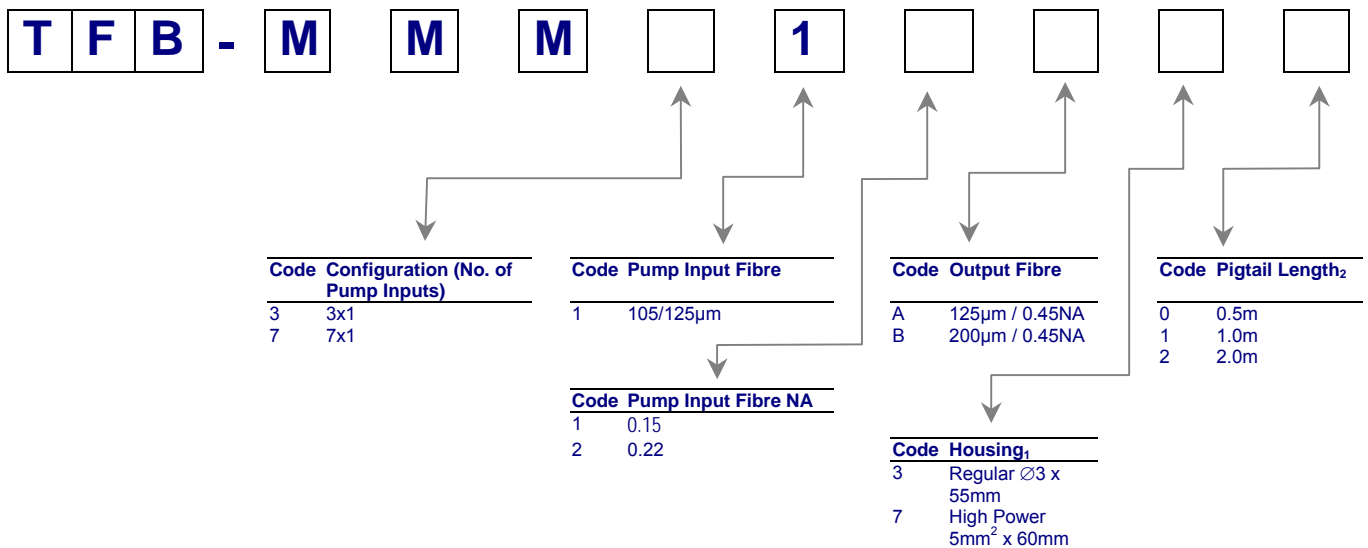
### Optical Specifications<sub>1</sub>

Parameter	Specification		Unit
Pump Input Fibre NA	0.15	0.22	-
Pump Input Wavelength	900 to 1000		nm
Pump (MM) Transmission Efficiency <sub>2</sub>	≥ 90 (Typ > 95)	≥ 90	%
Return Loss/Directivity	> 40		dB
Operating Temperature	-5 to +75		°C
Storage Temperature	-40 to +85		°C

1. All specifications are for operation at room temperature.  
 2. Transmission efficiency based 7x1 with 125µm / 0.45NA output fibre and 0.5m pigtailed. Reported at 975nm as standard.

### Ordering Code Information

**Example: TFB-MMM711A70** (7x1 Tapered Fibre Bundle with seven 105/125µm 0.15NA pump inputs, one 125µm 0.45NA output in high power housing with 0.5m pigtailed).



1. Maximum housing lengths. Adequate heat-sinking is required for high power operation. For more information please contact the SIFAM sales team.  
 2. Minimum pigtail lengths.

